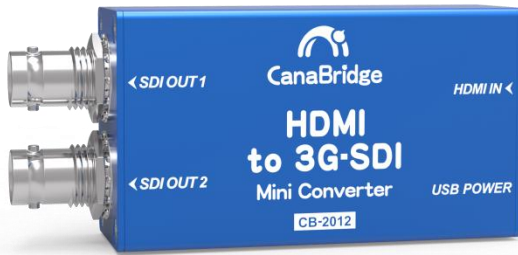




HDMI to SDI Mini Converter

CB-2012



CB-2012 is an exquisite and portable HDMI to SDI converter. With micro USB power supply, convenient and detachable mounting bracket, CB-2012 is the best choice for indoors and outdoors. It adopts a type-A HDMI input and dual 3G-SDI outputs, supporting a conversion of full HD resolution signal of 1080p60 to professional SDI signal. Different video rate of SD/HD/3G-SDI is selectable for SDI output.

Connections

HDMI Video Input

1×HDMI A

Micro USB

Power and software update

SDI LED

SDI output signal indicator

SDI Video output

2×SD/HD/3G-SDI(75Ω BNC)

Power LED

Power indicator



Functions and Standards

HDMI Input Format

1080p 50/59.94/60
1080p 23.98/24/25/29.97/30
1080i 50/59.94/60
720p 50/59.94/60
576i 50, 480i 59.94

SDI Output Format

1080p 50/59.94/60
1080p 23.98/24/25/29.97/30
1080i 50/59.94/60
720p 50/59.94/60
625i 50, 525i 59.94

SDI Standard

SMPTE ST 259,
SMPTE ST 292-1,
SMPTE ST 424

HDMI Color Space and Precision

YCbCr 4:2:2
YCbCr 4:4:4
RGB 4:4:4

SDI Video Rate

SD/HD/3G-SDI

SDI Color Space and Precision

YCbCr 4:2:2

HDCP

Signal with HDCP doesn't pass through

Power

Power

Micro USB

Power Consumption

2W (Max)

Voltage Range

USB 3.3-5.5V

Physical Specifications

Dimension

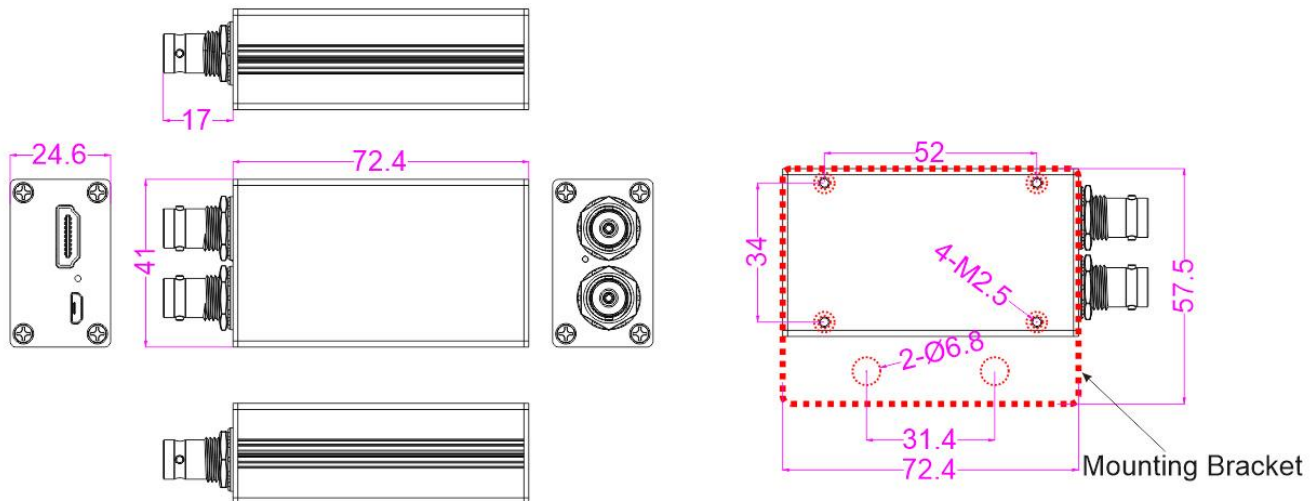
72.4×41×24.6mm

Net Weight

110g

Gross Weight

470g



Environmental Specifications

Operating Temperature

0°C~40°C

Storage Temperature

-30°C~70°C

Relative Humidity

0%~90% non-condensing

What's Included

CB-2012 (HDMI to 3G-SDI Mini Converter)

Mounting Bracket with 4 screws (12g)

DC 5V Universal Power Supply with 5 International Socket Adapters

USB Cable (150cm)

Note: Specifications are subject to change without notice.